

AUTOMATIC ROLLSTOCK BAGGING & SEWING MACHINE

FAS

The automatic rollstock bagging & sewing machine provides a complete system for filling and closing bags by using high quality sewing equipment. The usage of a uniquely designed filling system makes the machine quick and reliable but also gentle while handling the product (even with bigger products). This automatic machine is designed with electrical controlled settings making it able to quickly switch between bag dimensions. This makes it perfect for fast paced and continuous packaging even with variable packaging in terms of weights and sizes.

- ✓ Gentle and efficient product handling
- ✓ Suitable for high variety of packaging sizes
- ✓ Automatic adjustable for quickly switching between bag sizes
- ✓ Suitable for high variety of products
- ✓ Reliable design
- ✓ Customizable for your specific situation



Suitable packaging type
 Roll stock mesh bags

Packing range
 2,5kg - 25kg

Capacity (bags/hr)
 2,5 - 5 kg: 1250 bags/hr
 5 - 12,5 kg: 1100 bags/hr
 12,5 - 25 kg: 1000 bags/hr

Weight of machine
 ± 1100 kg

Power consumption
 ± 7 kW

Voltage
 3x 400V/230V, -0- + ground, 50 Hz
 3x 480/277V, -0- + ground, 60 Hz

Air consumption
 ± 25 l/min, 8 bar

Options/Upgrades

- Along-moving side supports
- Vibrating unit for better settlement
- Certificate-dispenser
- Sewing thread break-detection
- Sewing needle break-detection
- Lint break-detection
- Broken bag detection

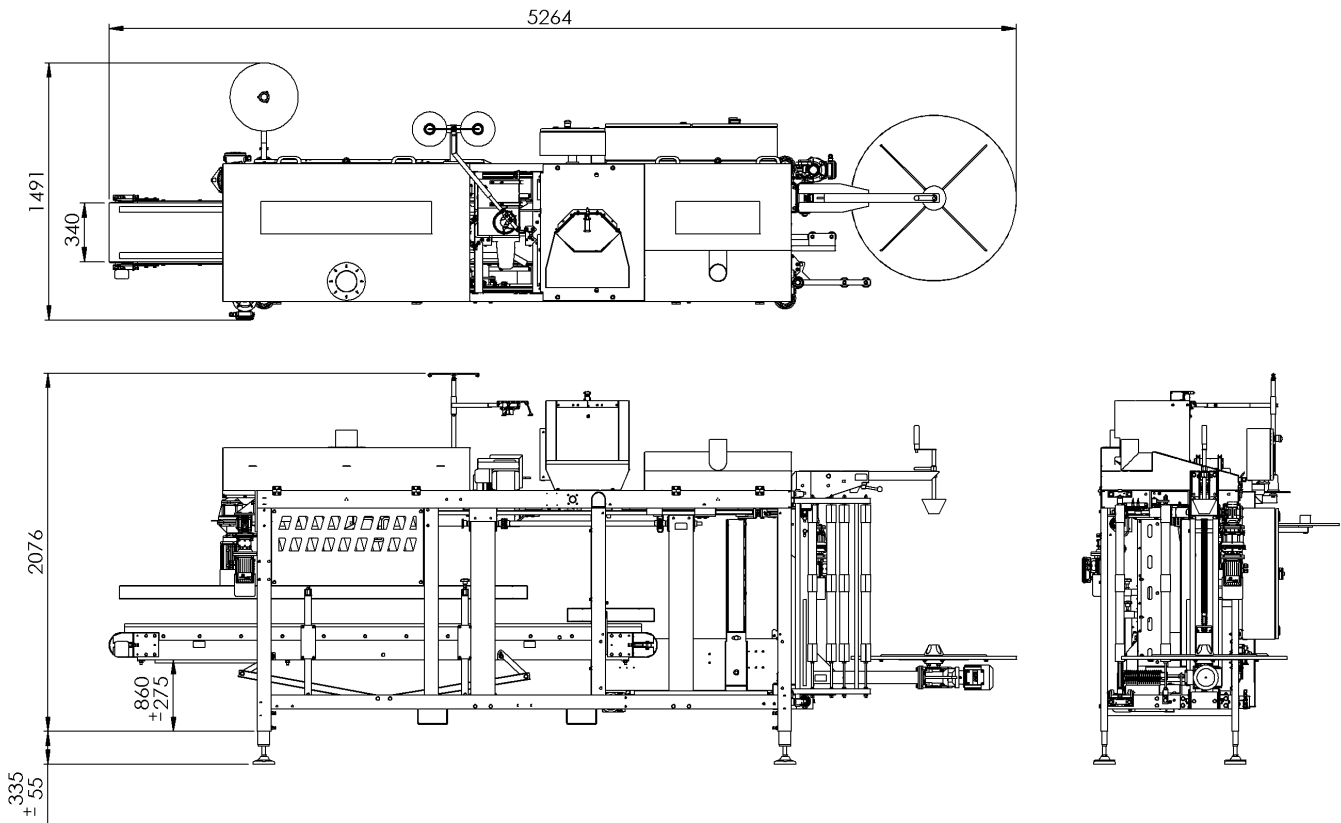
Configurable

Configurable Sewing-head

Recommended combinations

MHW

FAS SCHEMATIC VIEW



Recommended combination
FAS + MHW

