

SEMI-AUTOMATIC SEWING MACHINE

SAS



The Semi-Automatic Sewing machine is the solution for bag filling followed by an automatic closing of the opening using high quality sewing equipment. Designed specifically for loose single bags and manually adjustable for high variety of bag dimensions. The SAS is easy to operate and can be easily integrated with your weighing and packaging lines.

- ✓ Suitable for high variety of packaging sizes
- ✓ Suitable for high variety of products
- ✓ Reliable and low maintenance design
- ✓ Customizable for your specific situation
- ✓ Easy to use and operator friendly

Suitable packaging type

Jute bags
Net bags
Woven fabric PP (Polypropylene)

Packing range

10kg - 50kg

Capacity (bags/hr)

25kg: 600-750 bags/hr
50kg: 450-550 bags/hr

Weight of machine

± 700 kg

Power consumption

± 3 kW

Voltage

3x 400V/230V, -0- + ground, 50 Hz
3x 480/277V, -0- + ground, 60 Hz

Air consumption

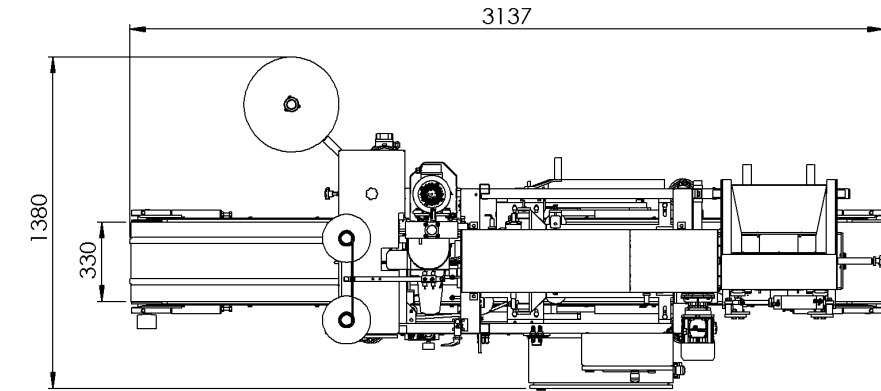
± 15 l/min, 5 bar

Options/Upgrades

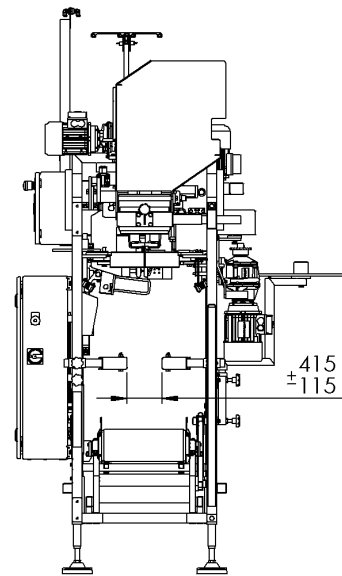
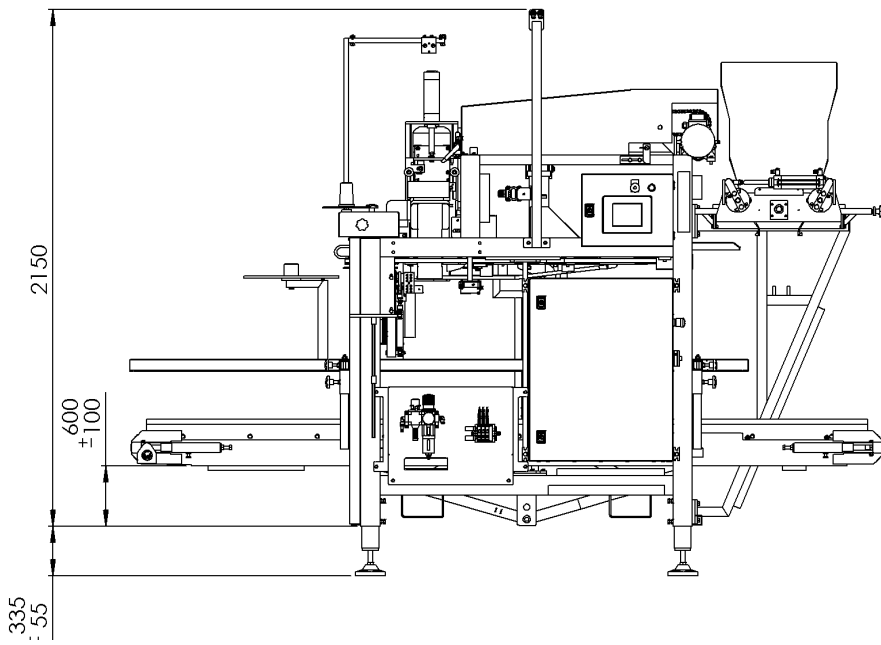
- Double discharge-belt
- Along-moving side supports
- Configurable Sewing-head
- Certificate-dispenser
- Sewing thread break-detection
- Sewing needle break-detection
- Lint break-detection

Recommended combinations

ABP



SAS SCHEMATIC VIEW



Recommended combination
SAS + ABP

