

BIG BAG FILLER

BBF



The Big Bag Filler has been engineered to ensure continuous and reliable filling of multiple sizes of big bags, making the process fast and efficient, not only in terms of product handling but also in fork lift usage and personnel requirements. Designed with moving filling platforms ensuring a decrease in distance of falling product.

- ✓ Continuous and reliable filling process
- ✓ Gentle product handling
- ✓ Suitable for multiple packaging sizes
- ✓ Automatic bag capacity control
- ✓ Robust and movable design
- ✓ Customizable with multiple options

Suitable packaging type

Big bags (950x950 mm)

Suitable packaging dimensions

W: 950 x 950 mm
L: 950 - 2550 mm

Packing range

Max. 1250 kg

Capacity (kg/hr)

± 25.000 kg/hr

Weight of machine

± 1500 kg

Power consumption

± 4,75 kW

Voltage

3x 400V/230V, -0- + ground, 50 Hz
3x 480/277V, -0- + ground, 60 Hz

Air consumption

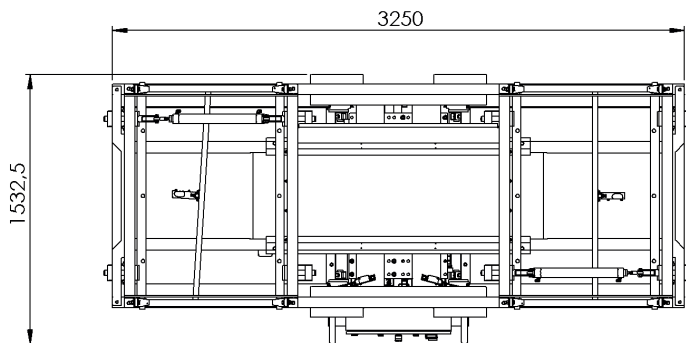
± 0,5 l/min, 6 bar

Belt height setting

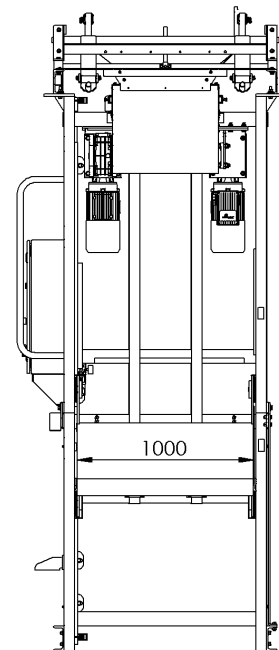
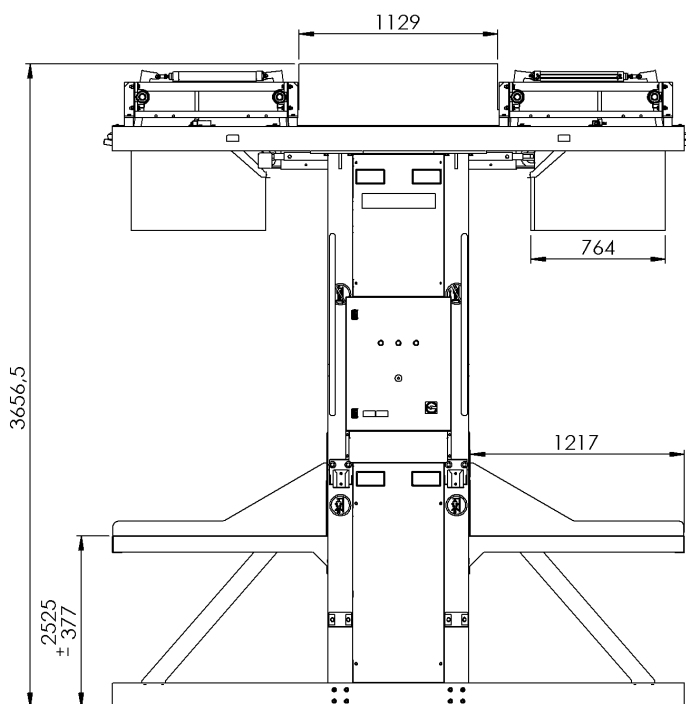
- Weighing modules
- Extra heavy hoisting components
- Integrated compressor
- Walk-in security options
- Safety fencing options
- Speed controlled filling belt

Recommended combinations

Elevator



BBF SCHEMATIC VIEW



Recommended combination
BBF + Elevator

