

AUTOMATIC CRATE AND CARTON FILLER

BFL



The Automatic Crate and Carton Filler is the perfect complement for your box/crate filling lines. A reliable design, easy to integrate with existing machinery and compatible with manual or automatic box/crate feeding system.

- ✓ Adjustable for high variety of packaging and sizes
- ✓ Smart and reliable design
- ✓ Easily integrated and installed with existing machinery
- ✓ Suitable for eco-friendly packaging
- ✓ Creates separation between each filled box

Suitable packaging type

Crates
Boxes

Suitable packaging dimensions

W: 270-490 mm

Belt speed

Accumulation belt: 0,36 m/s
Transport belt: 0,64 m/s

Weight of machine

± 400 kg

Power consumption

± 1kW

Voltage

3x 400V/230V, -0- + ground, 50 Hz
3x 480/277V, -0- + ground, 60 Hz

Air consumption

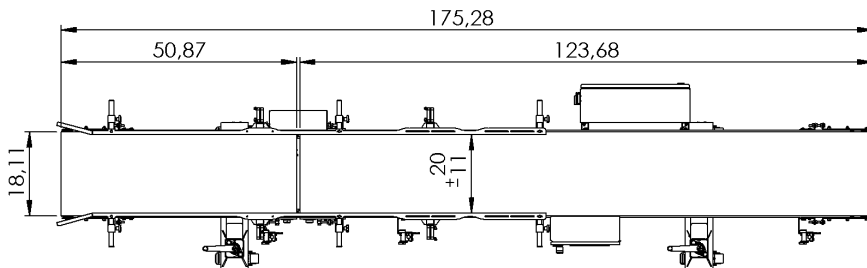
± 7 l/min, 6 bar

Belt height setting

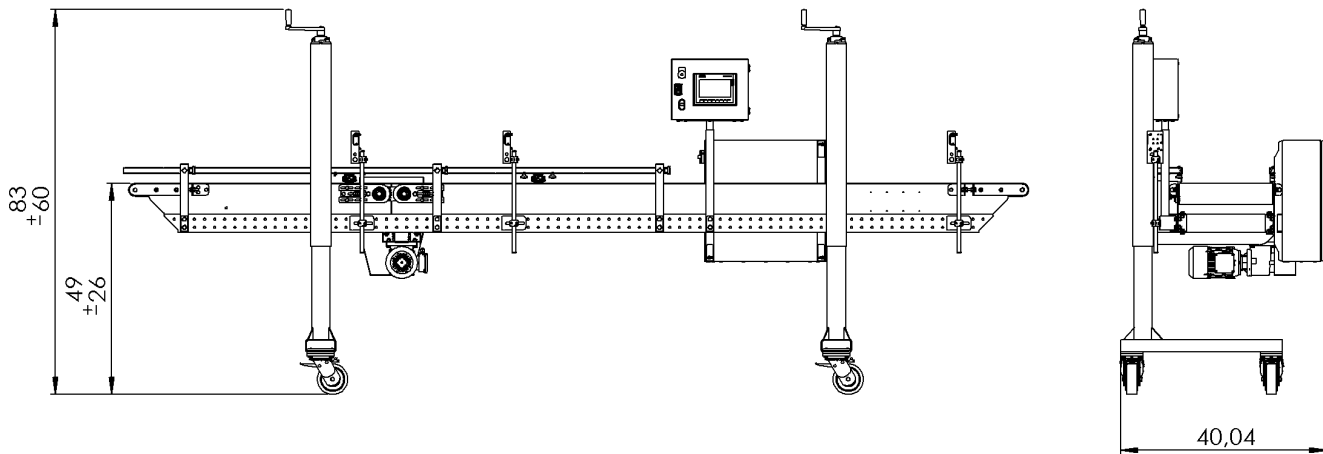
min. 655mm
max. 1255mm

Recommended combinations

MHW



BFL SCHEMATIC VIEW



Recommended combination
BFL + MHW

